

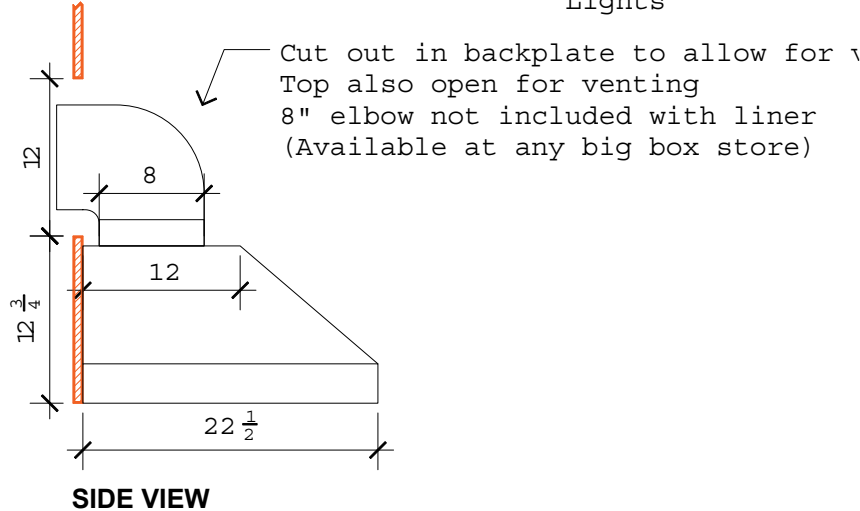
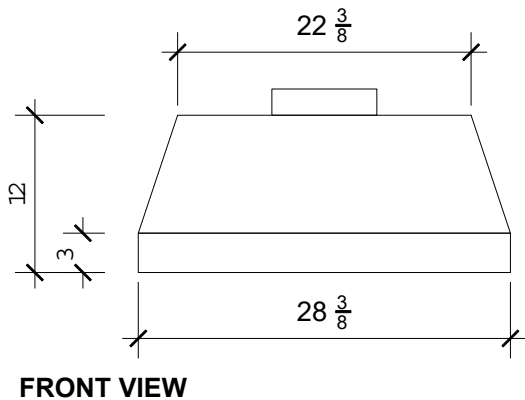
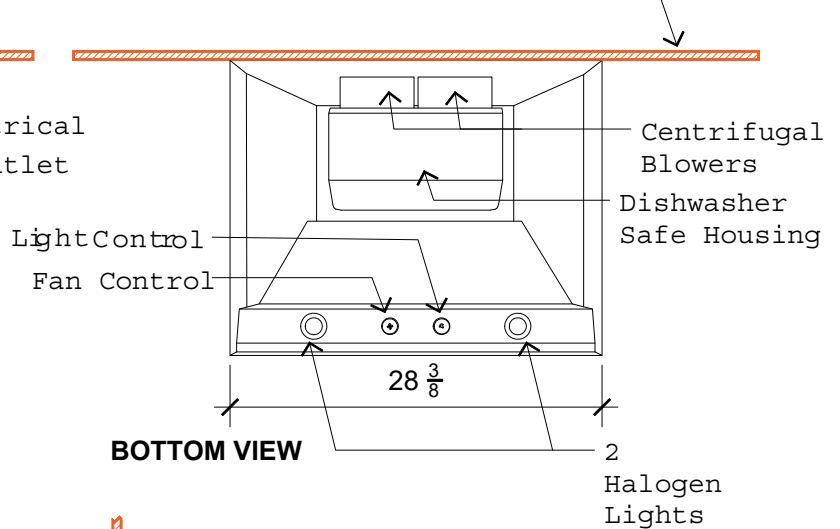
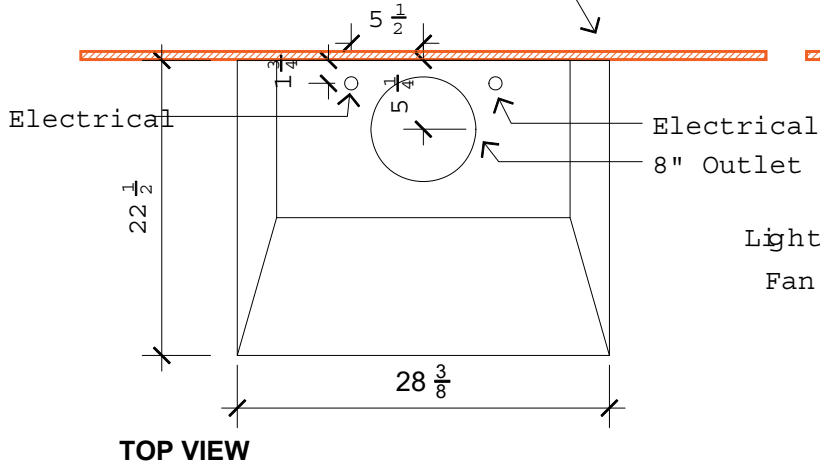
LA BASTILLE

METAL. EVOLVED.

Shannon Range Hood
 36"W x 32"H x 27"D Hood
 28-3/8" Liner

3/4" Backplate for Installation

3/4" Backplate for Installation



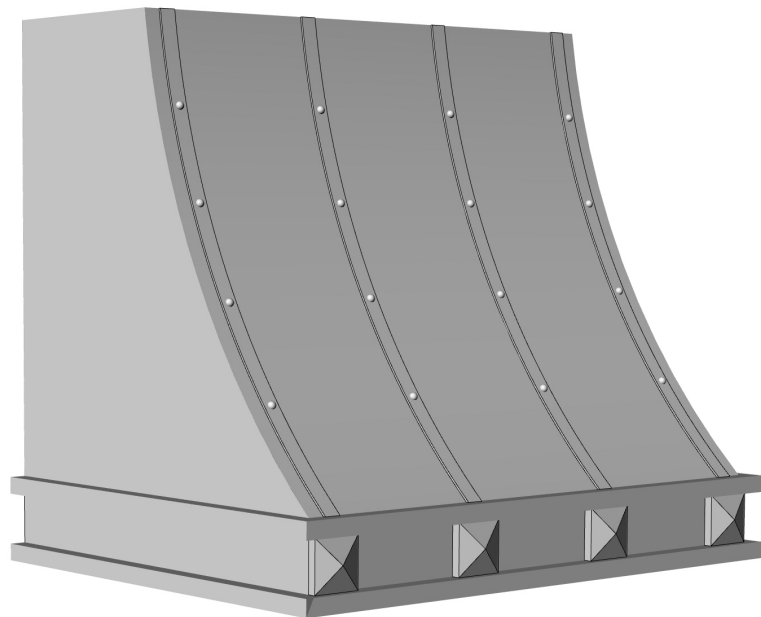
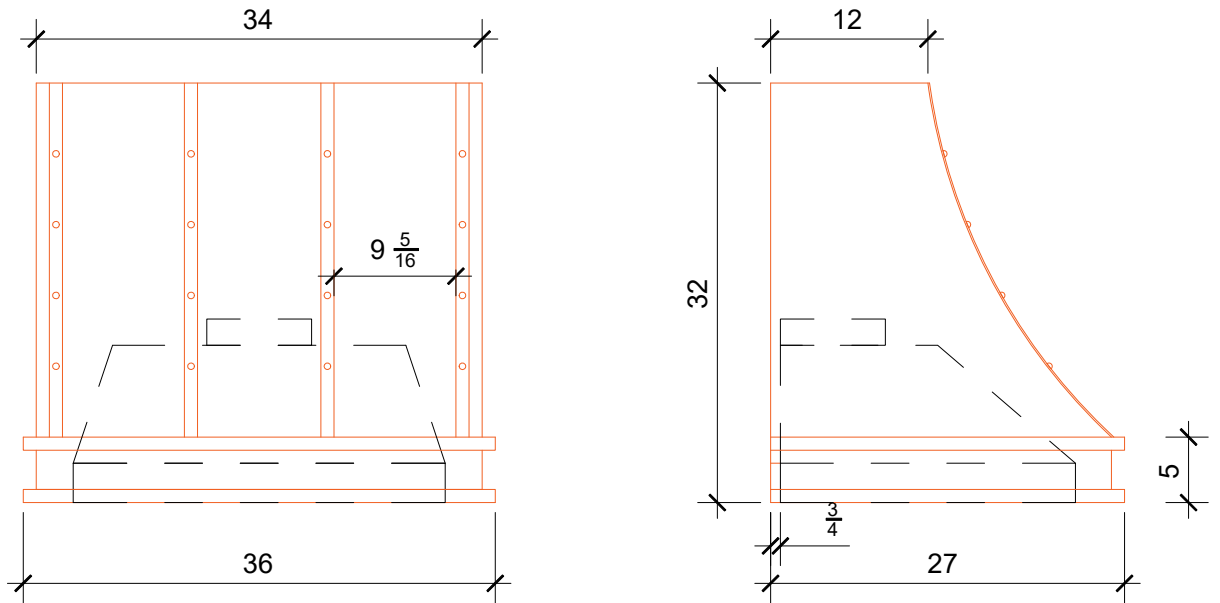
Specifications:

1. 900 CFM Equivalent Liner; 6.5 Sones
2. Recommended bottom of liner to be mounted 27"-30" above range
3. Liner width should be equal to or 4" greater than width of cooktop
4. Duct can be vented through wall or through top
5. Bottom of hood will be closed around outside of liner
6. Buyer responsible for ducting & connections from top of liner to exterior
7. Typically requires standard #14 or greater 120V dedicated circuit suggested:
 Grounded Neutral (White), Hot (Black), & Ground (Green). Unit pulls 4 Amps Max.
 Be sure to follow local building codes.
8. Liner typically connected by licensed electrician

LA BASTILLE

METAL. EVOLVED

Shannon Range Hood
36"W x 32"H x 27"D Hood
28-3/8" Liner
All Style Options Shown
(May Not Represent Your Chosen Design)



Rendering does not depict finish.